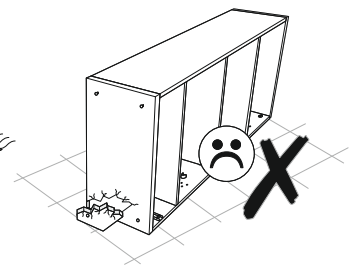
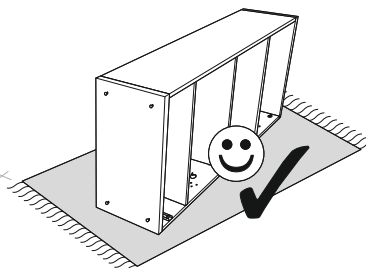
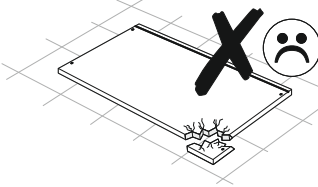
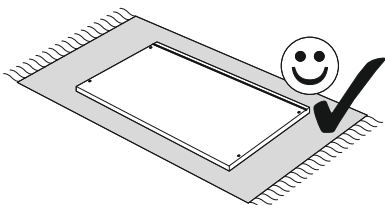
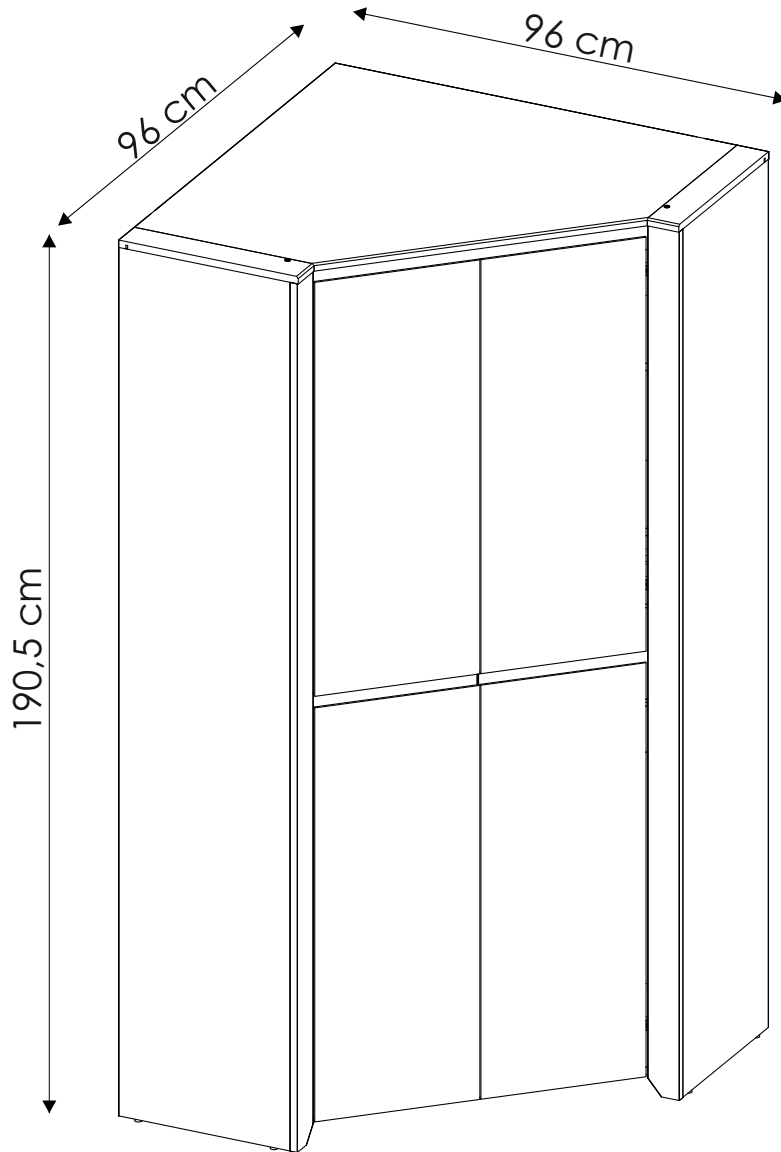
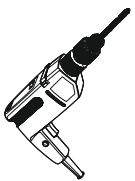
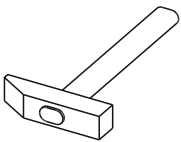
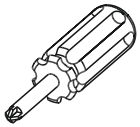
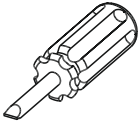
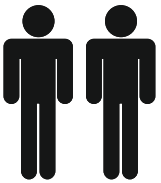
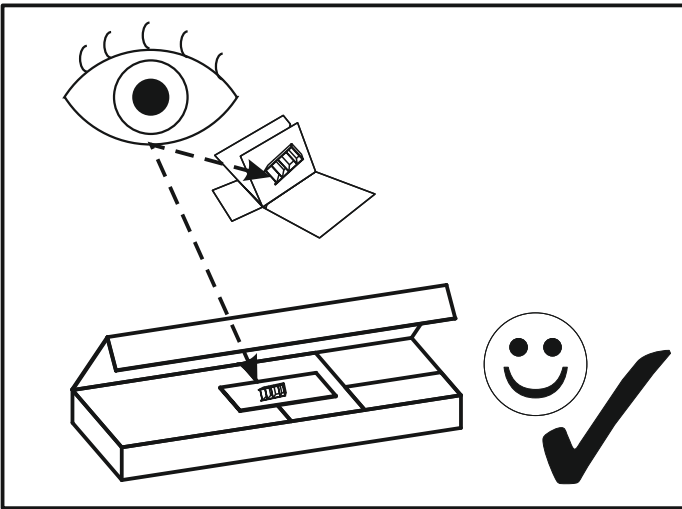
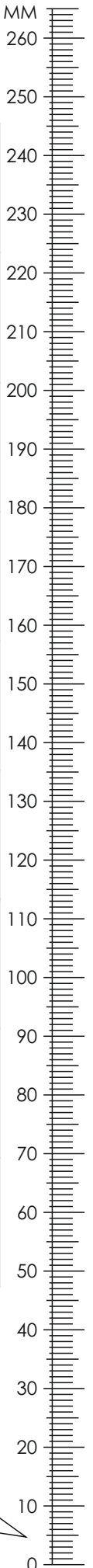




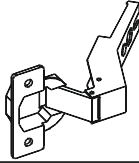
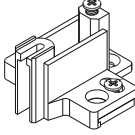

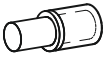

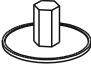







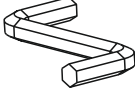


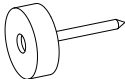
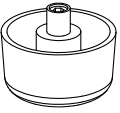
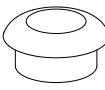
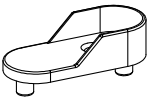



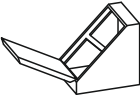
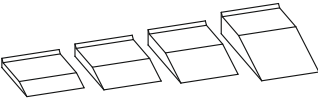
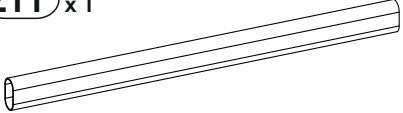
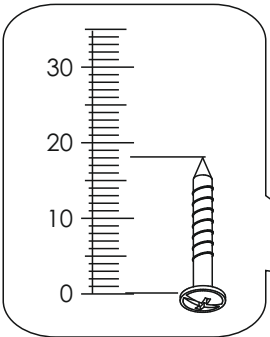
ANGEL 21



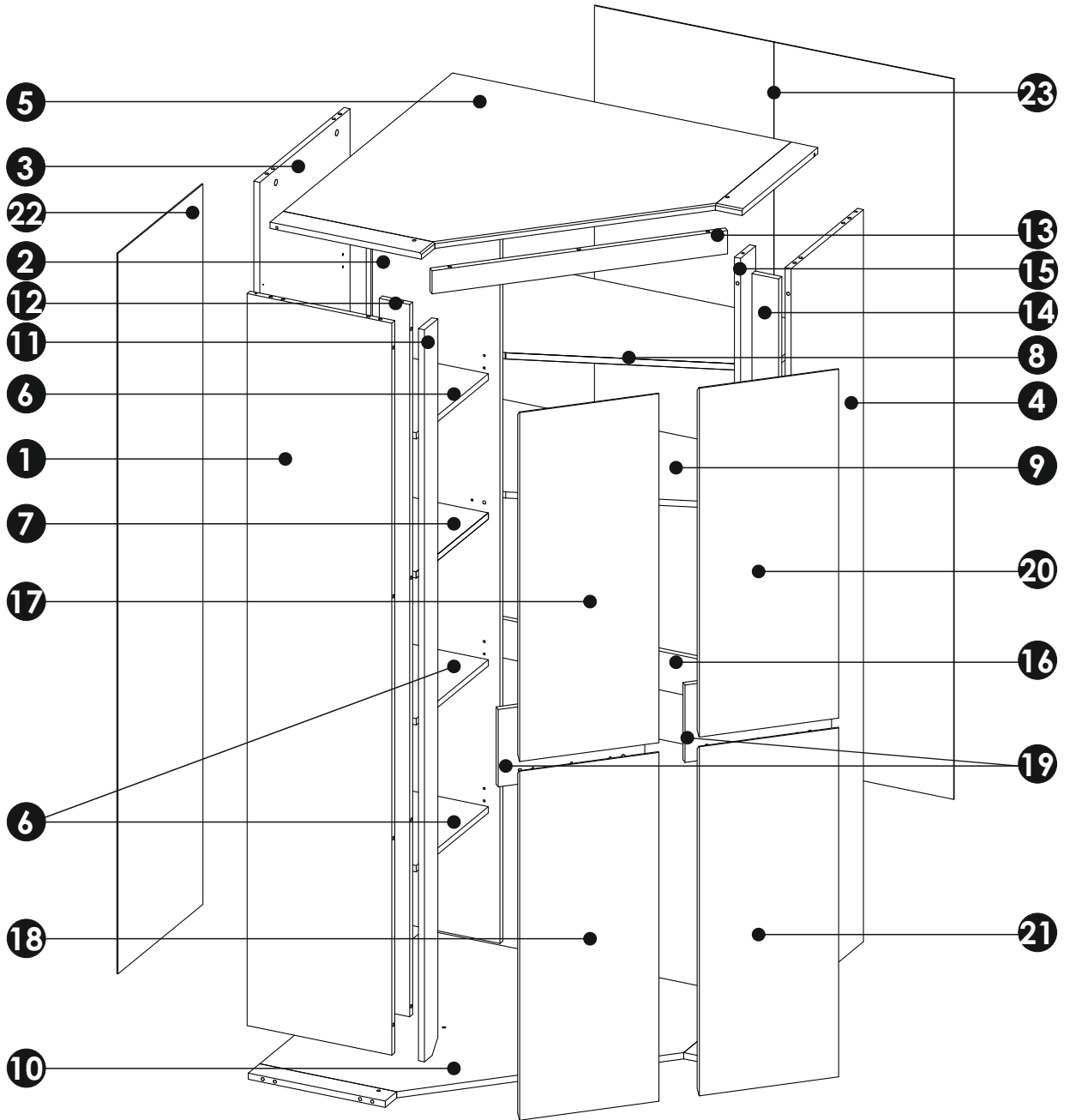
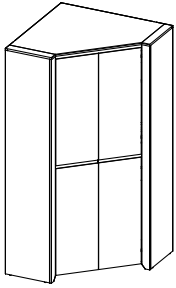


ANGEL 21



A0 x 8 \varnothing 8 x 24 mm 	A1 x 28 \varnothing 8 x 35 mm 	B5 x 6 
BW0 x 6 	C5 x 12 6,3 x 13 mm 	D2 x 16 
C1 x 12 4 x 13 mm 	E0 x 43 	E1 x 43 \varnothing 15 x 12 mm 
E14 x 12 	F1 x 43 	G0 x 6 
G1 x 6 \varnothing 7 x 50 mm 	I2 x 2 4 x 16 mm 	J6 x 12 4 x 30mm 
M x 1 	N1 x 30 3 x 16 mm 	N2 x 6 3,5 x 16 mm 
O2 x 6 	O29 x 2 	P21 x 2 
P44 x 2 	Q9 x 2 	R4 x 23 
R10 x 4 	W x 3 	Z x 1 
Z11 x 1 		

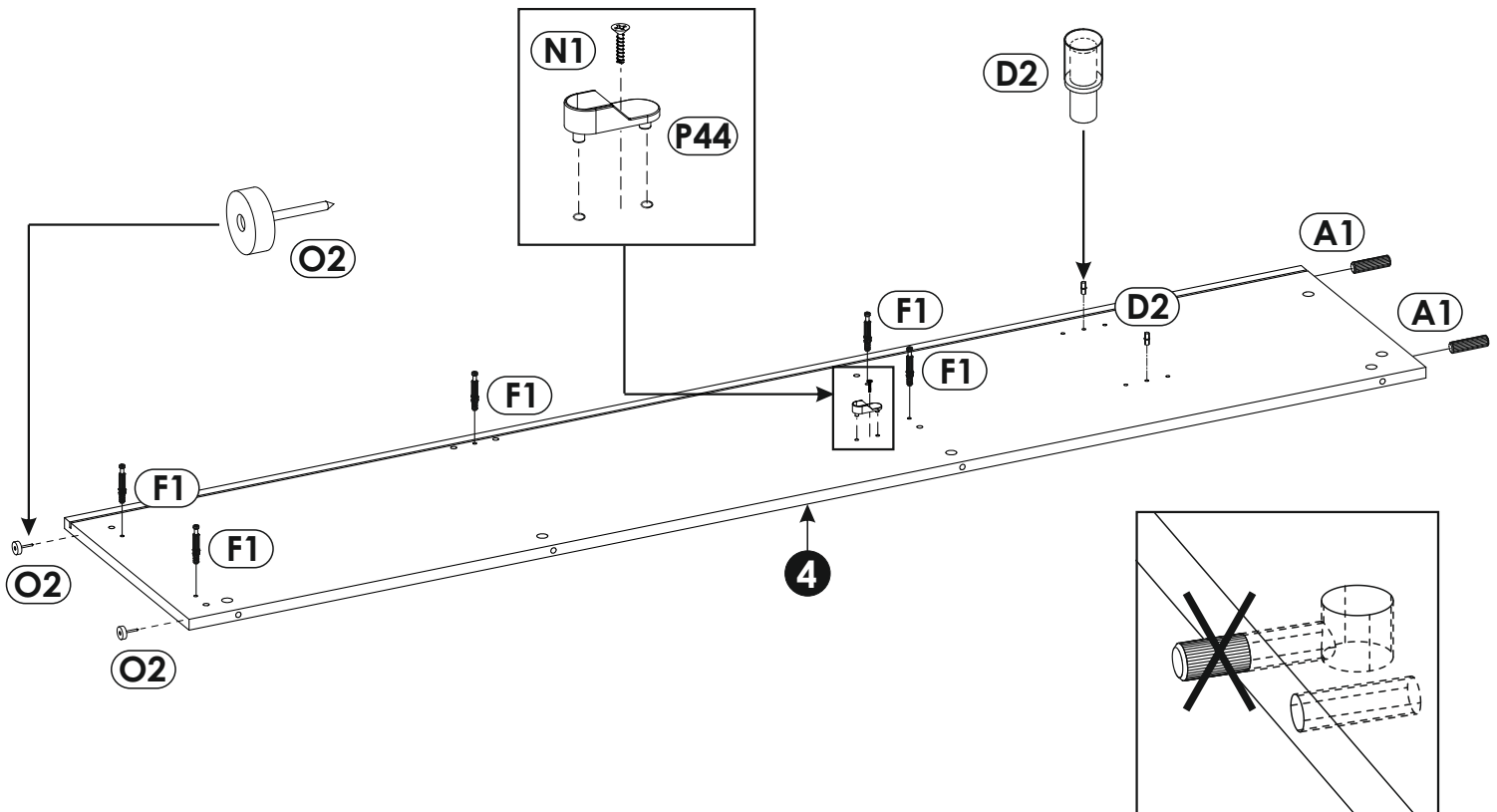
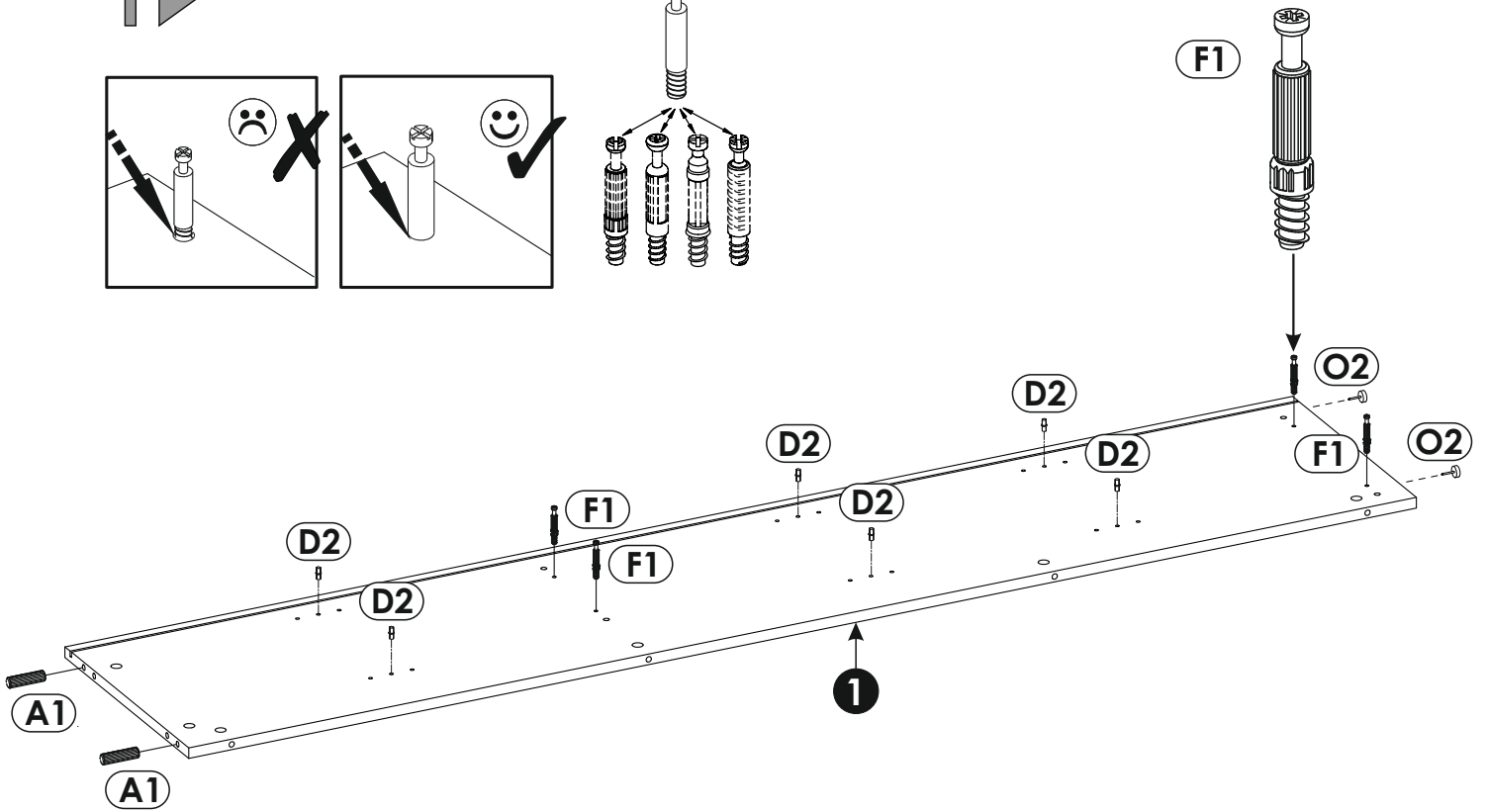
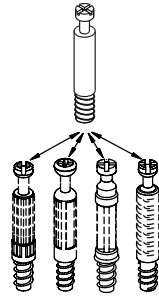
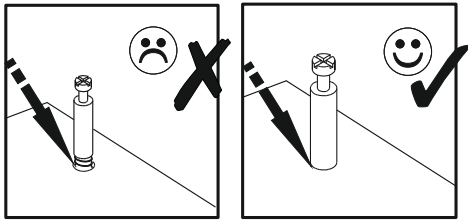
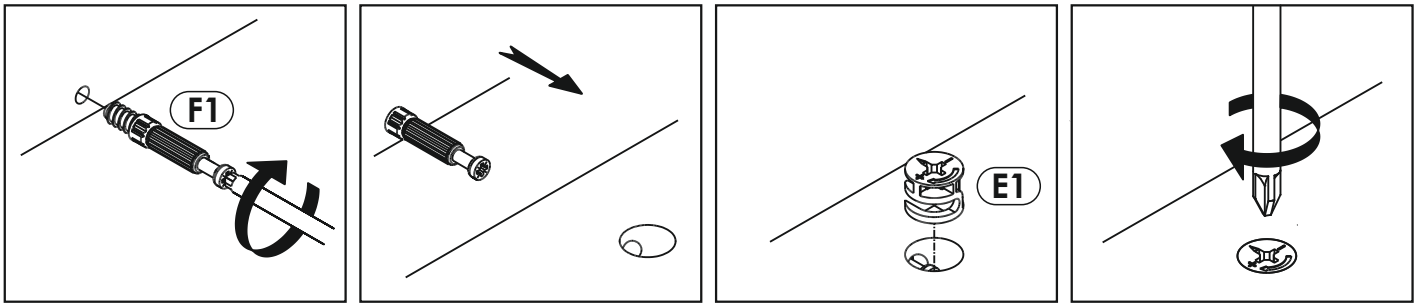
ANGEL 21



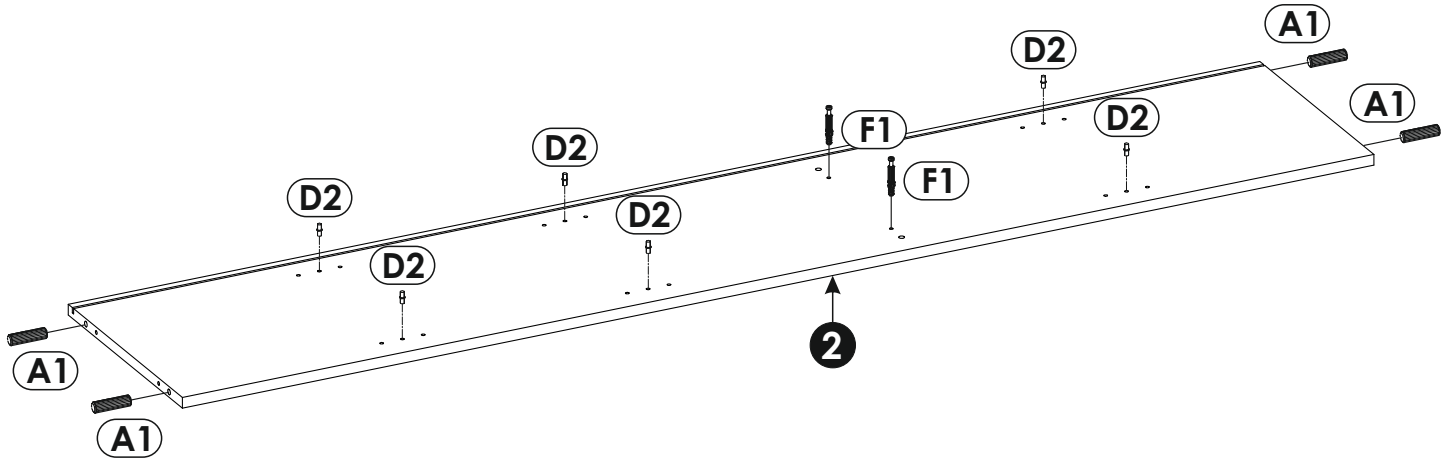
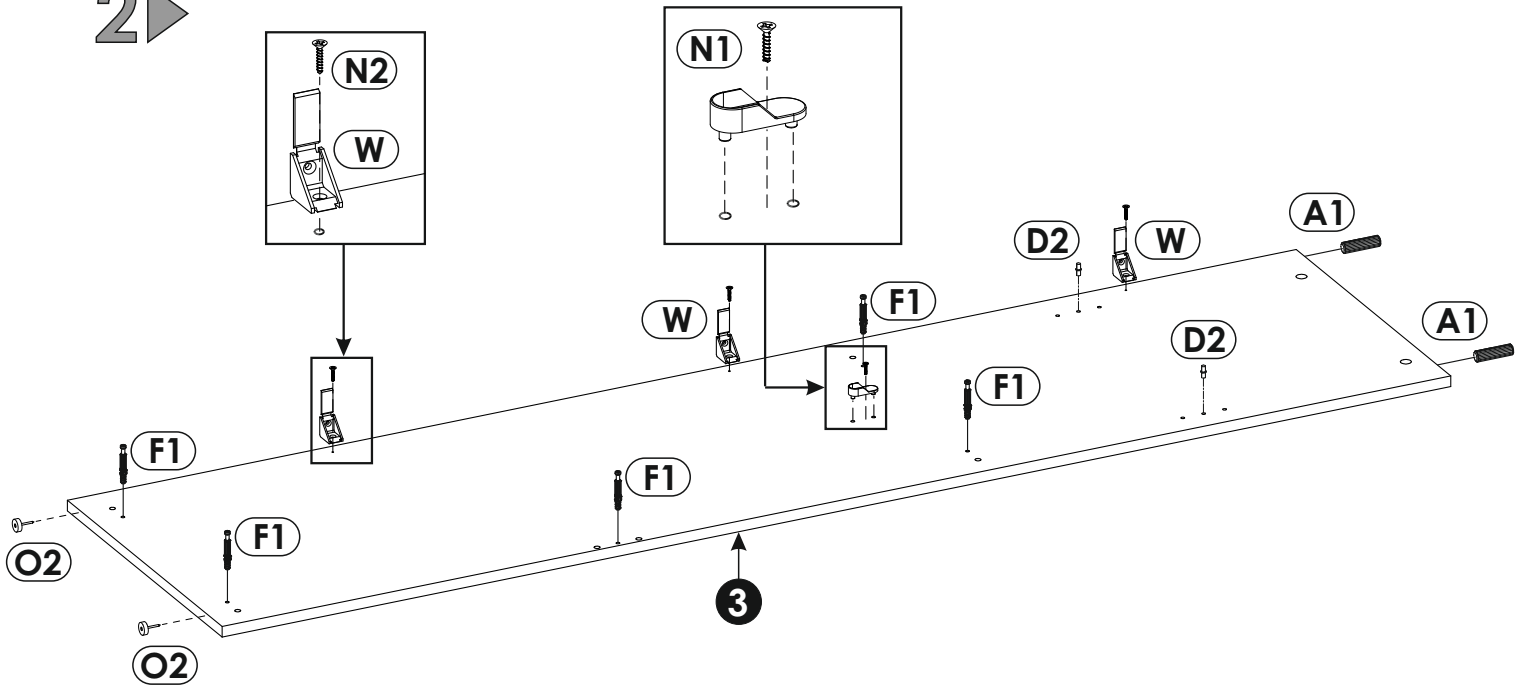
1	1884	380	16	x1	1/3
2	1833	351	16	x1	2/3
3	1884	474	16	x1	2/3
4	1884	380	16	x1	1/3
5	960	960	16	x1	3/3
6	433	334	16	x3	3/3
7	433	334	16	x1	3/3
8	923	474	16	x1	3/3

9	923	474	16	x1	3/3
10	923	923	16	x1	3/3
11	1884	70	16	x1	1/3
12	1833	80	16	x1	1/3
13	732	60	16	x1	2/3
14	1884	70	16	x1	1/3
15	1833	80	16	x1	1/3
16	923	100	16	x1	2/3

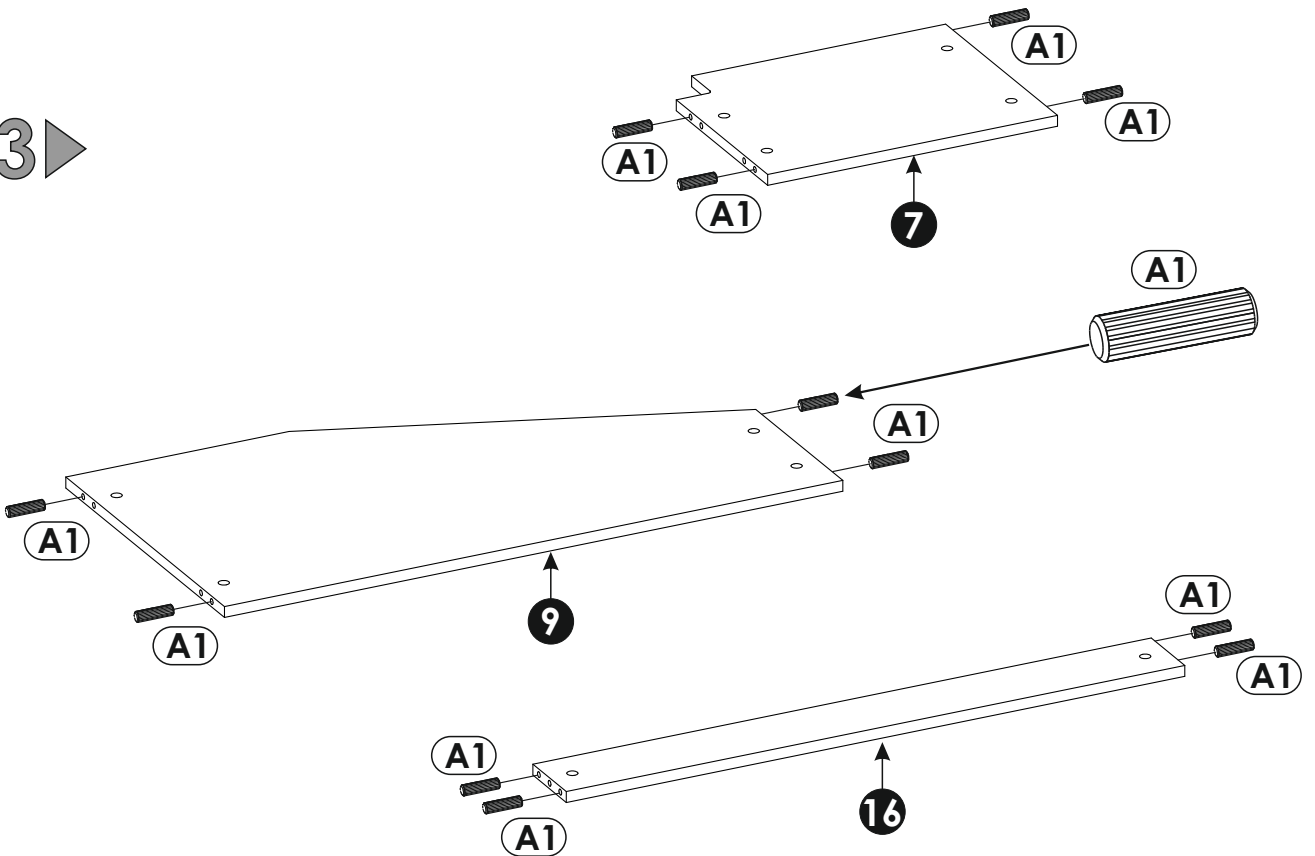
17	898	343	16	x1	1/3
18	898	343	16	x1	1/3
19	358	199	16	x2	3/3
20	898	343	16	x1	1/3
21	898	343	16	x1	1/3
22	1854	447	3	x1	2/3
23	1854	944	3	x1	2/3



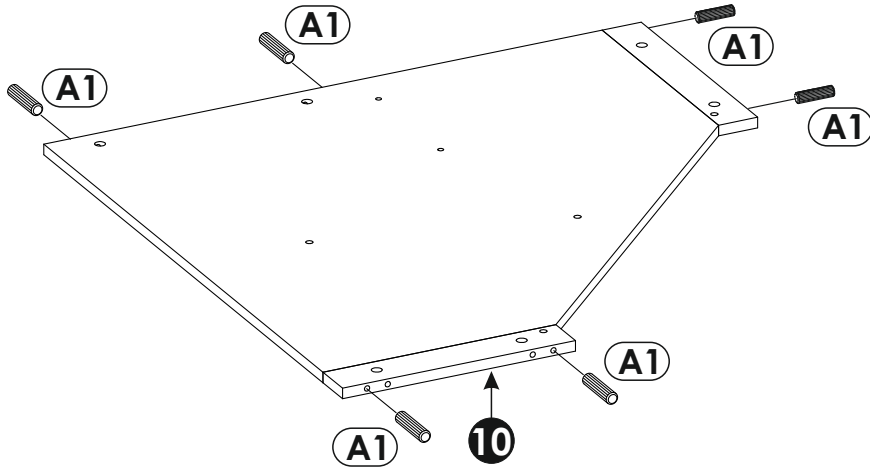
2 ▶



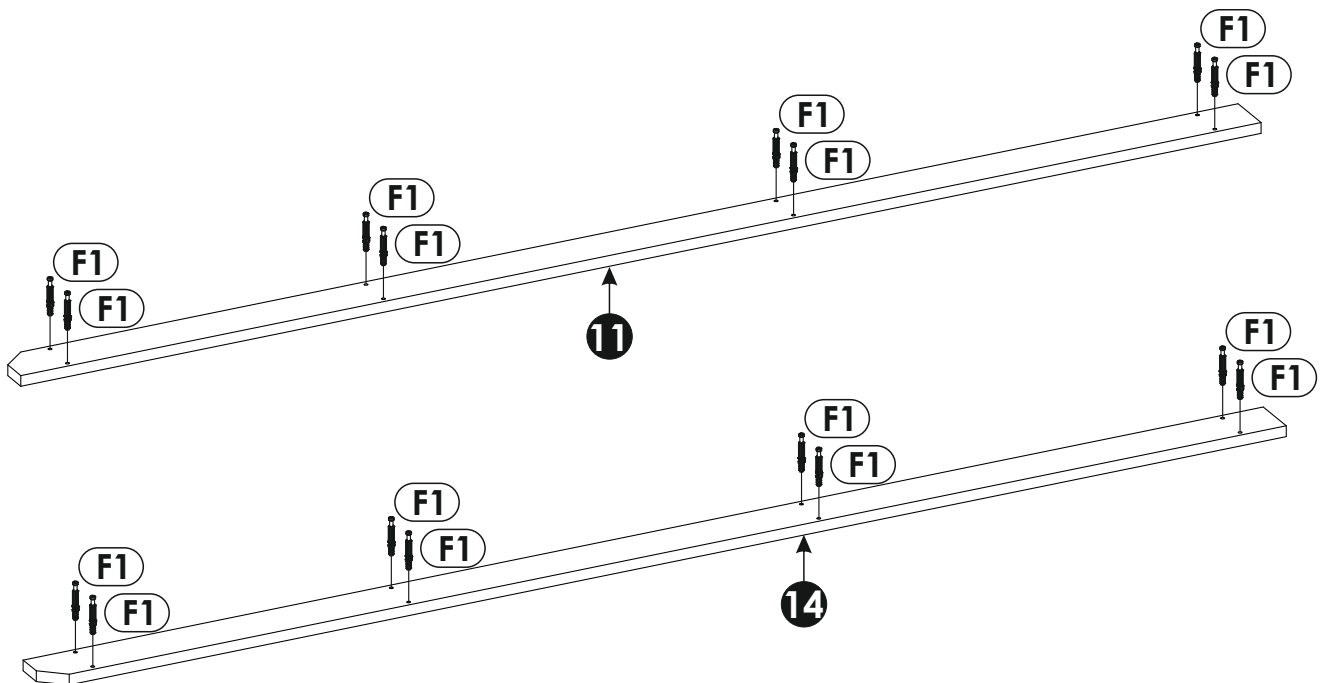
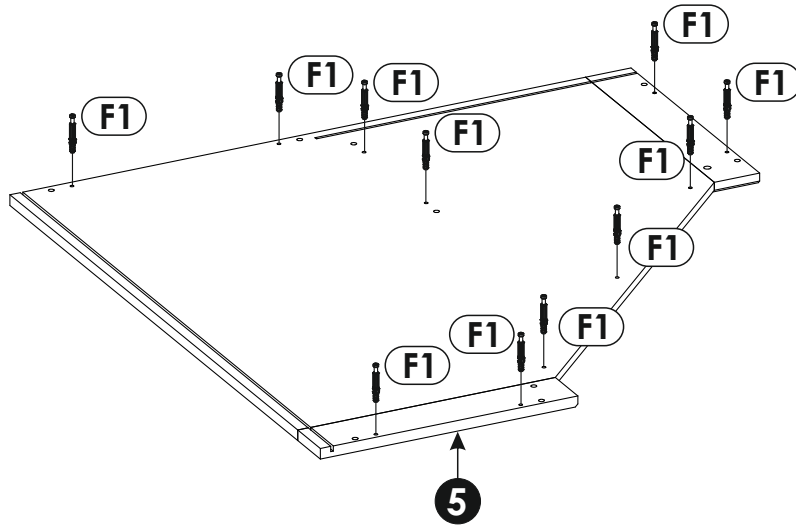
3 ▶



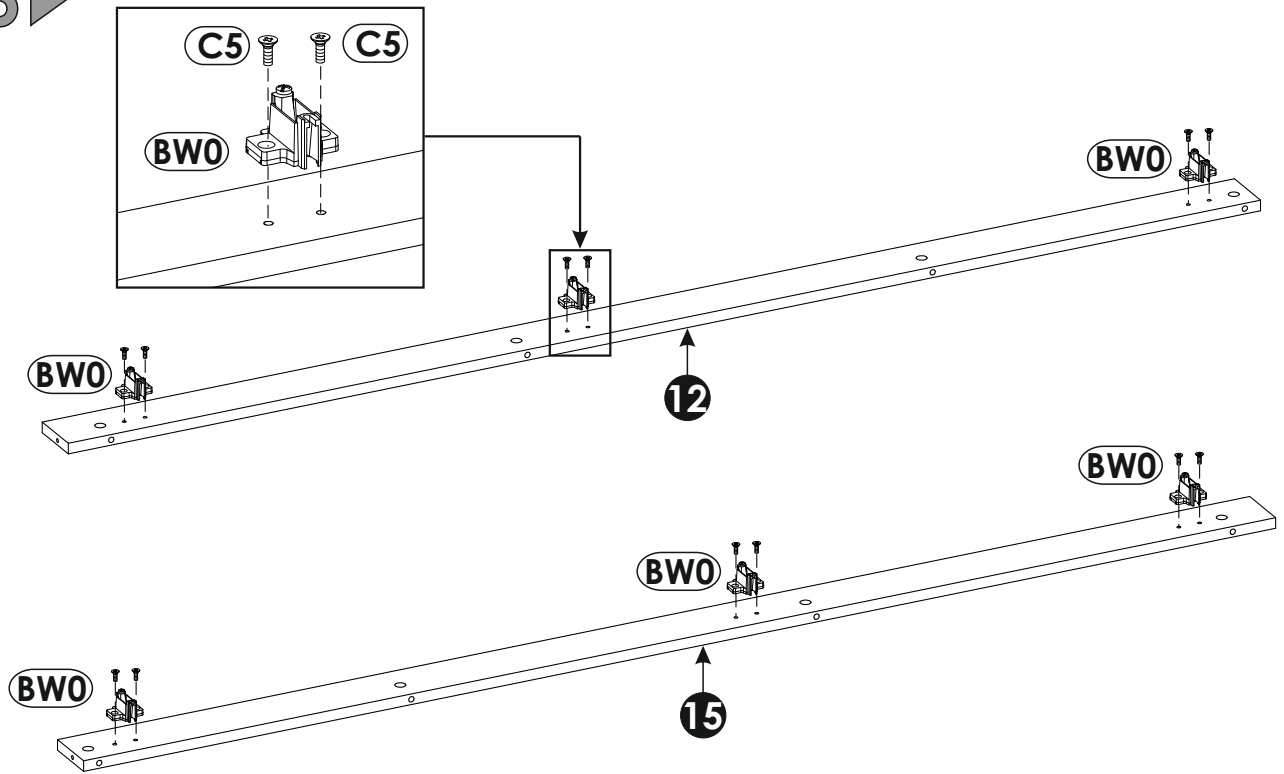
4▶



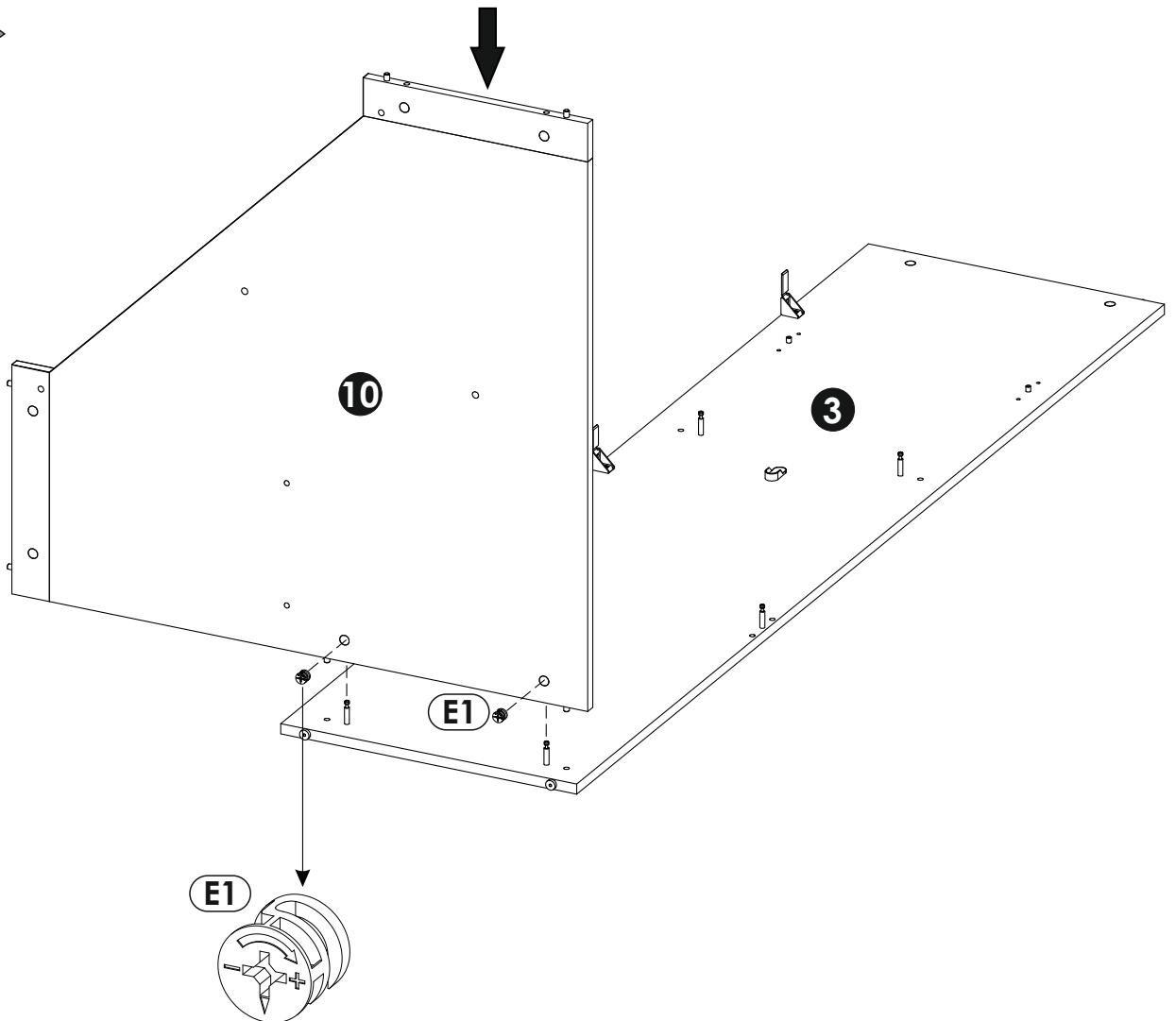
5▶



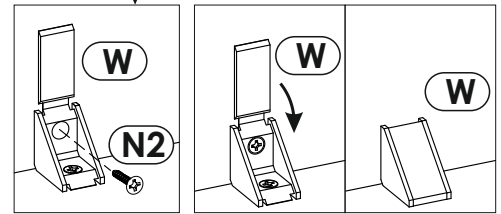
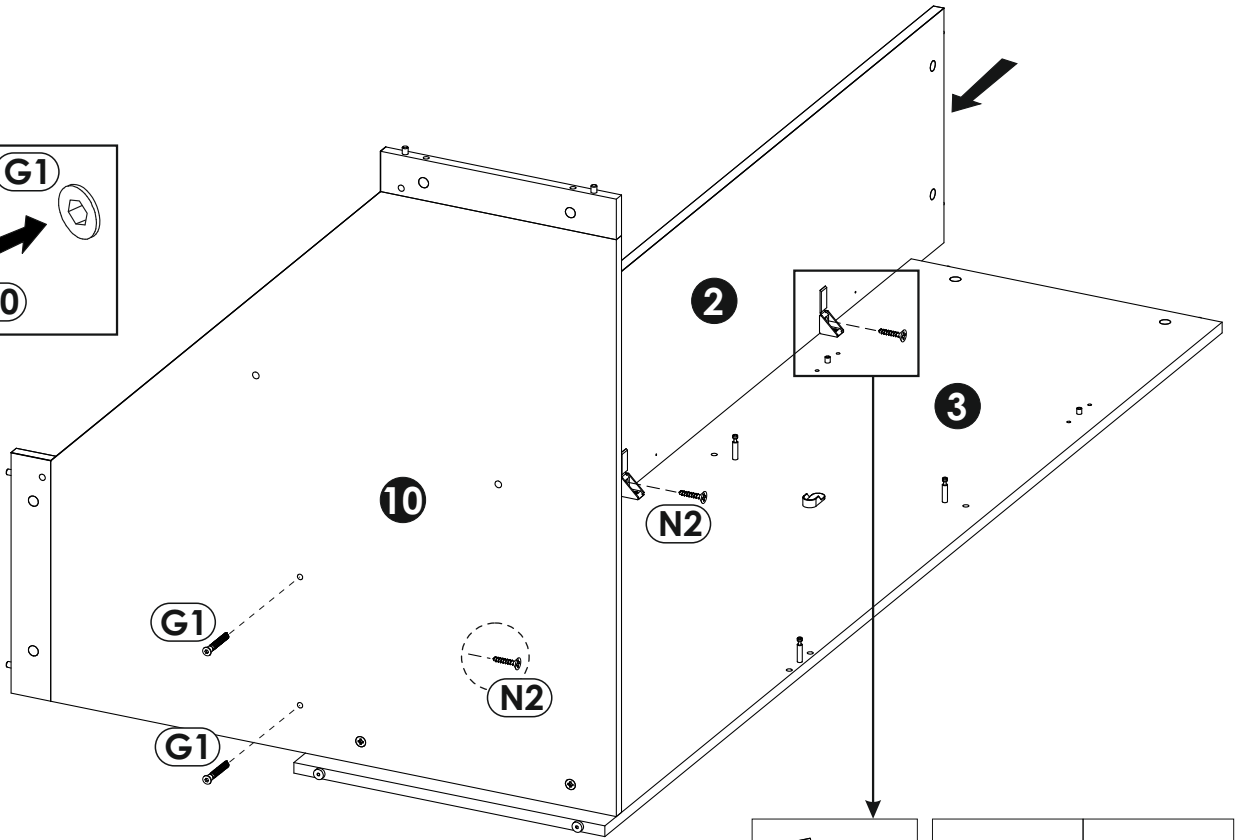
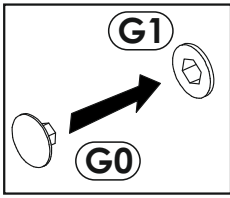
6 ▶



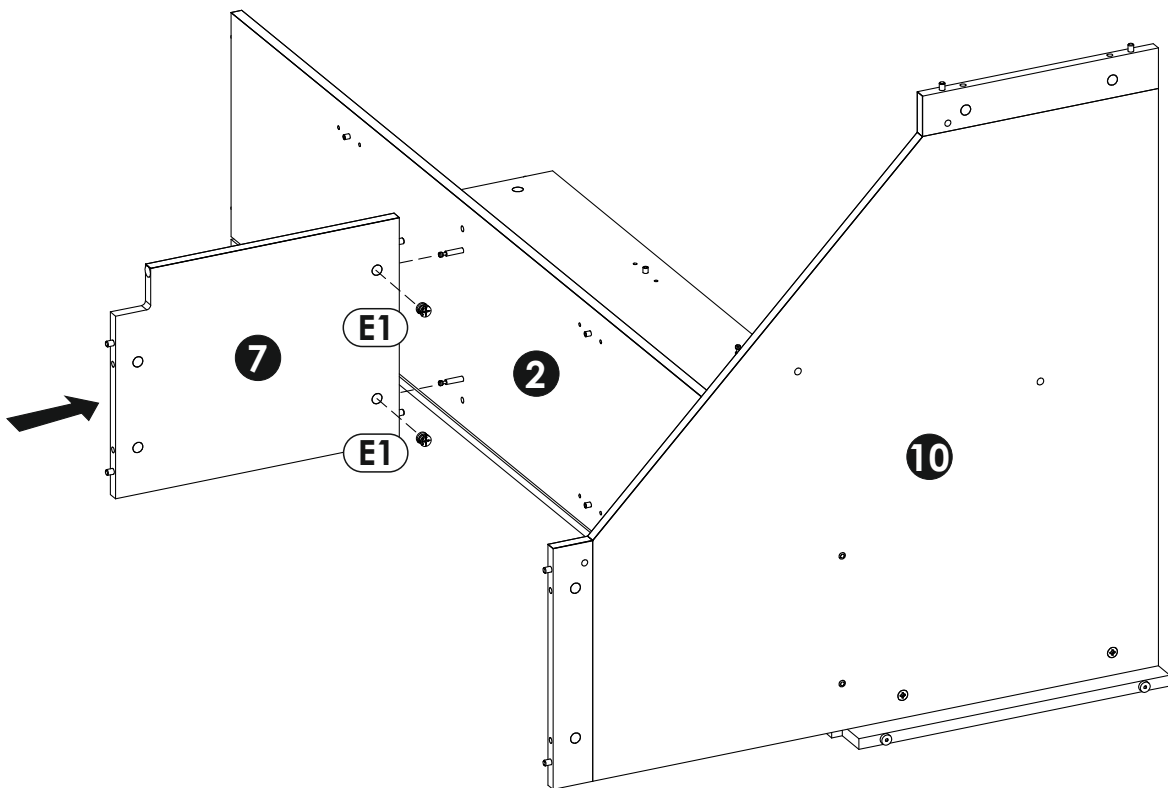
7 ▶



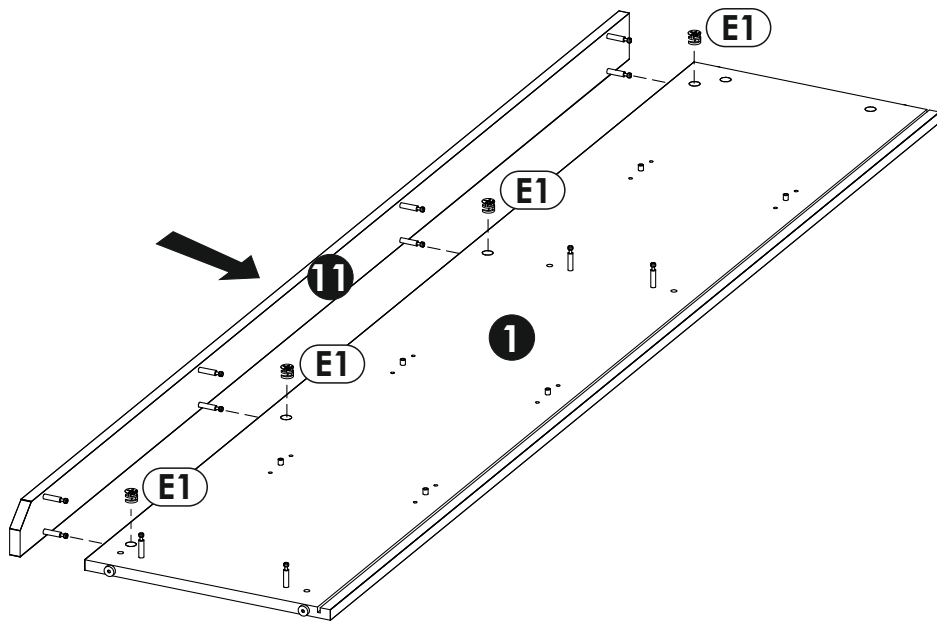
8 ▶



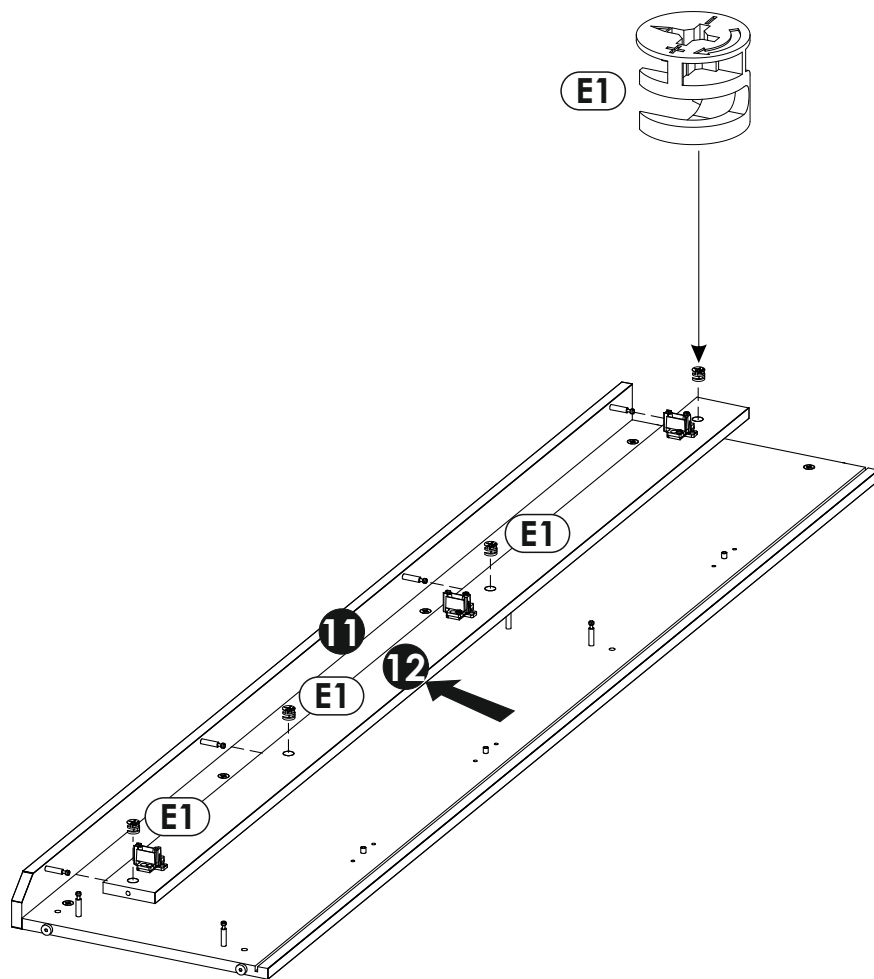
9 ▶



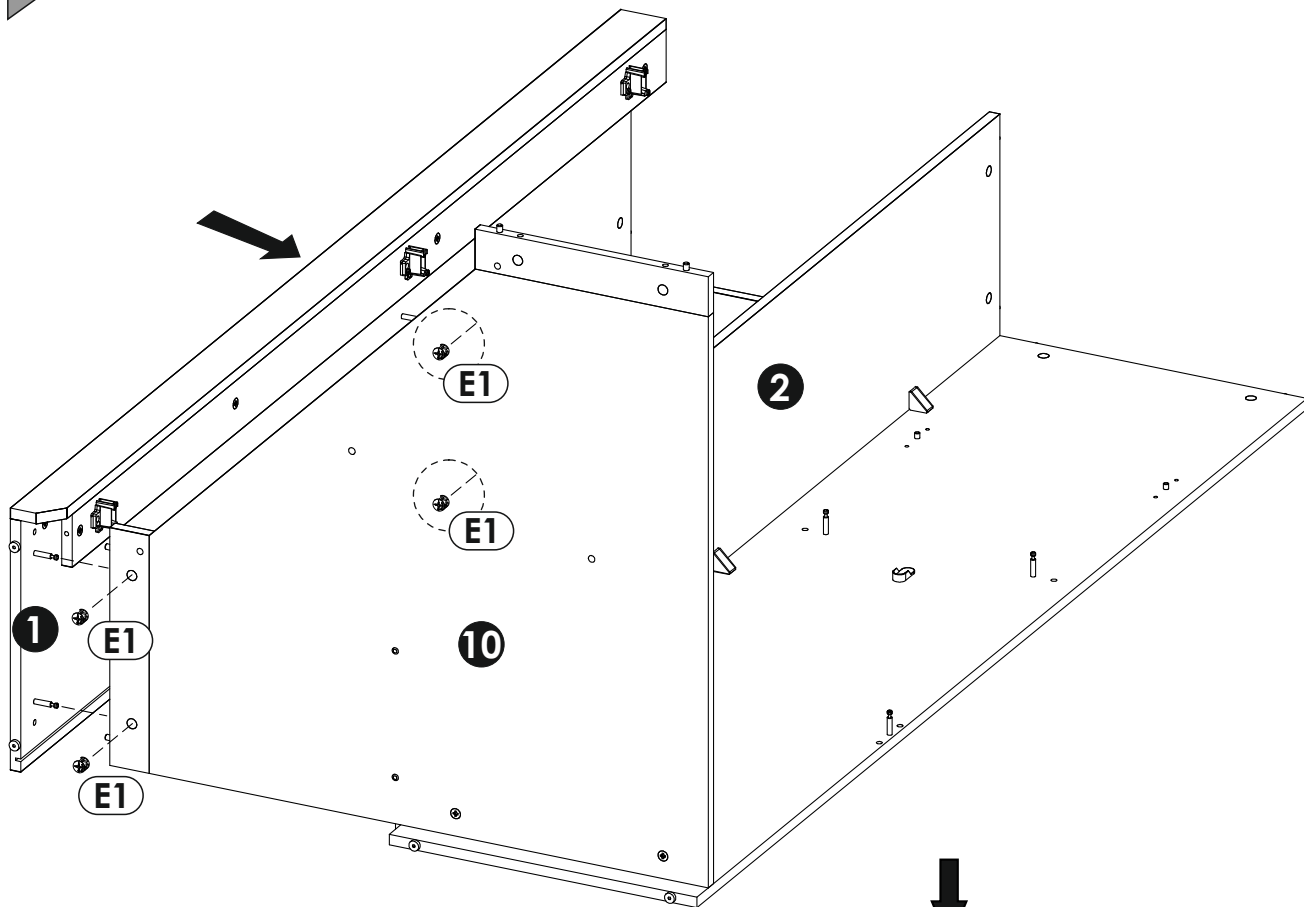
10 ▶



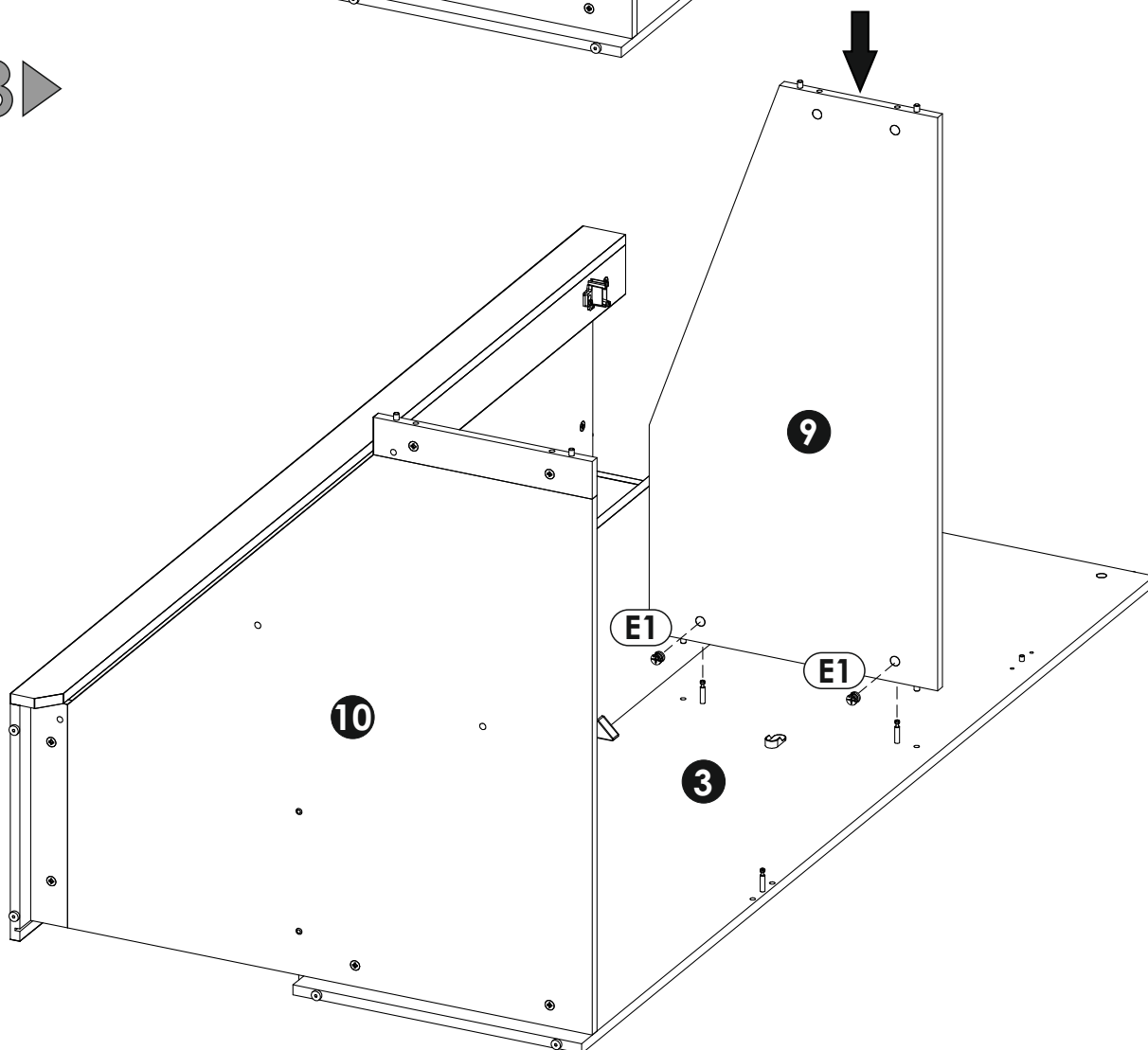
11 ▶



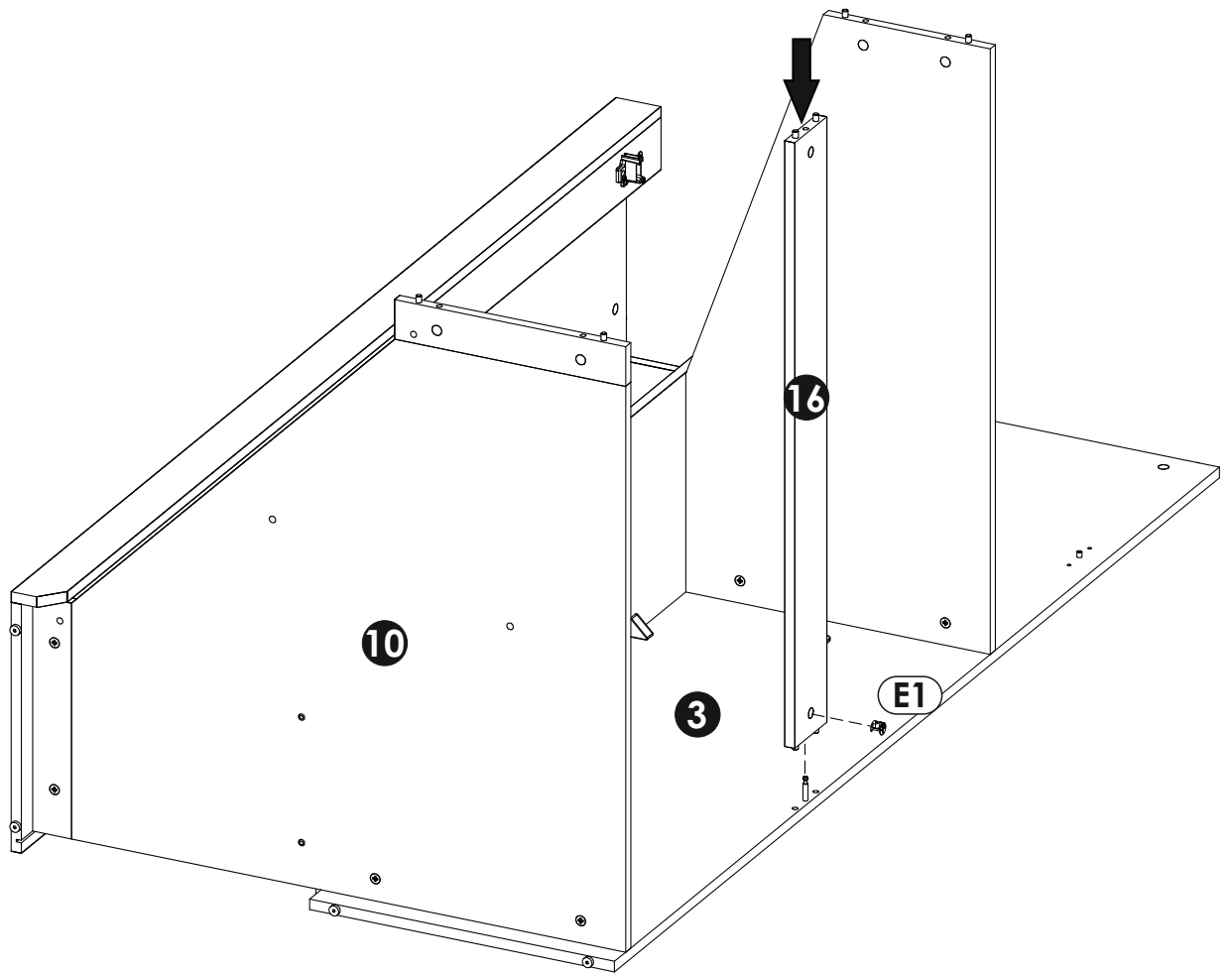
12 ▶



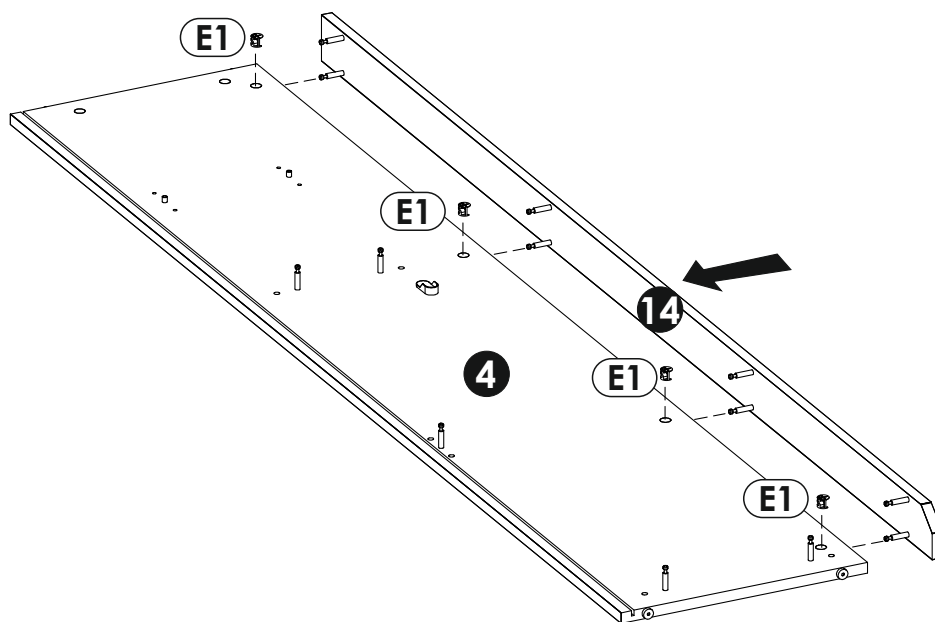
13 ▶



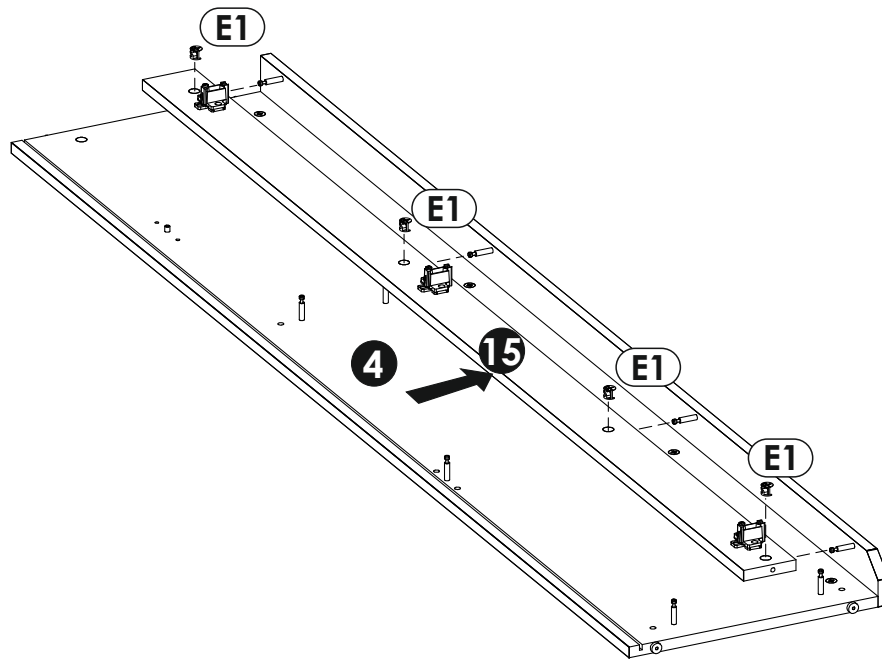
14▶



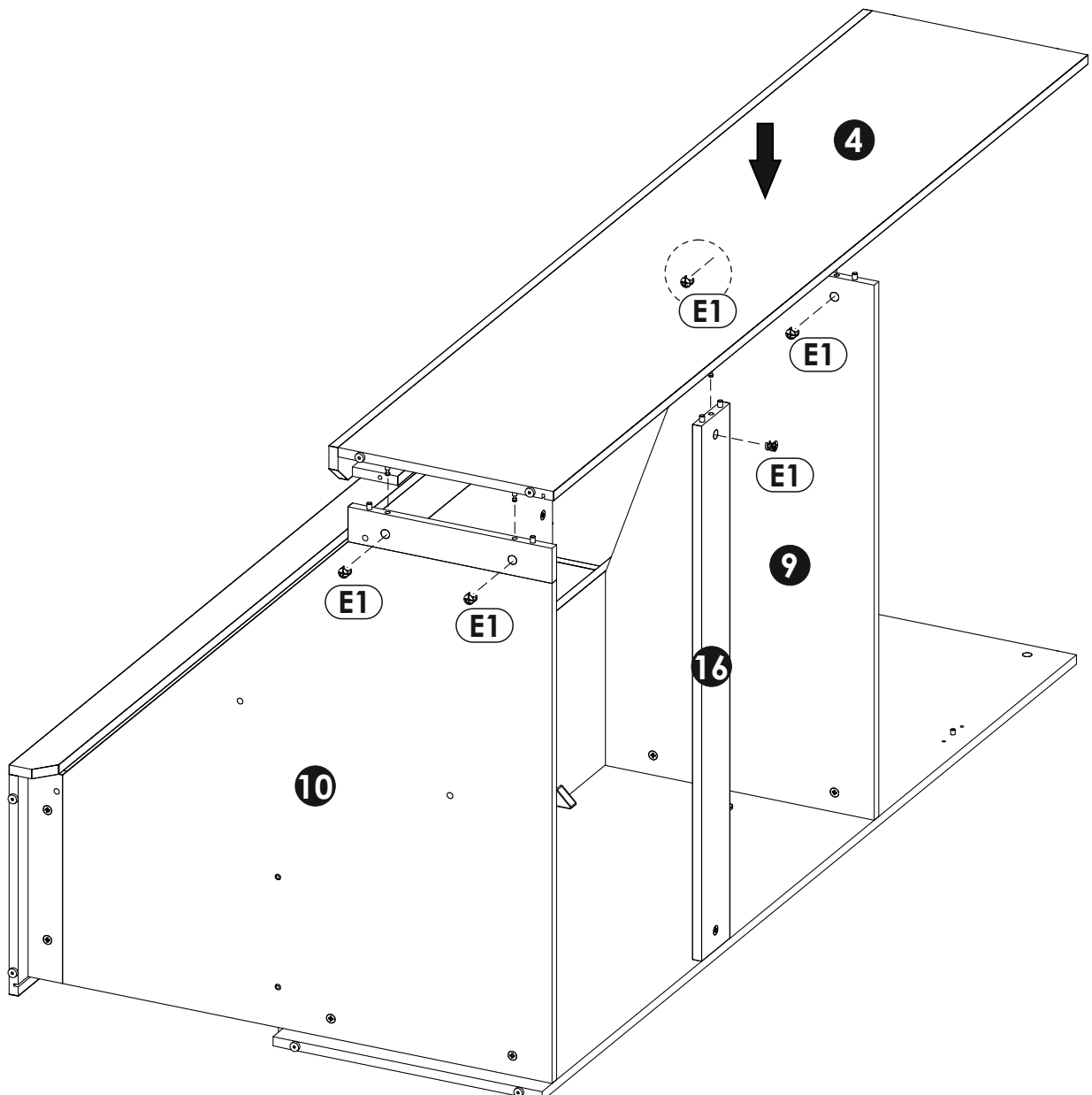
15▶



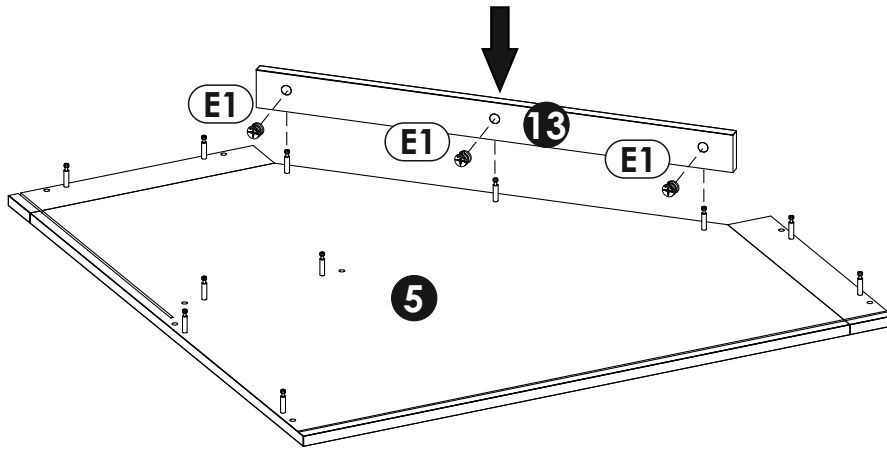
16▶



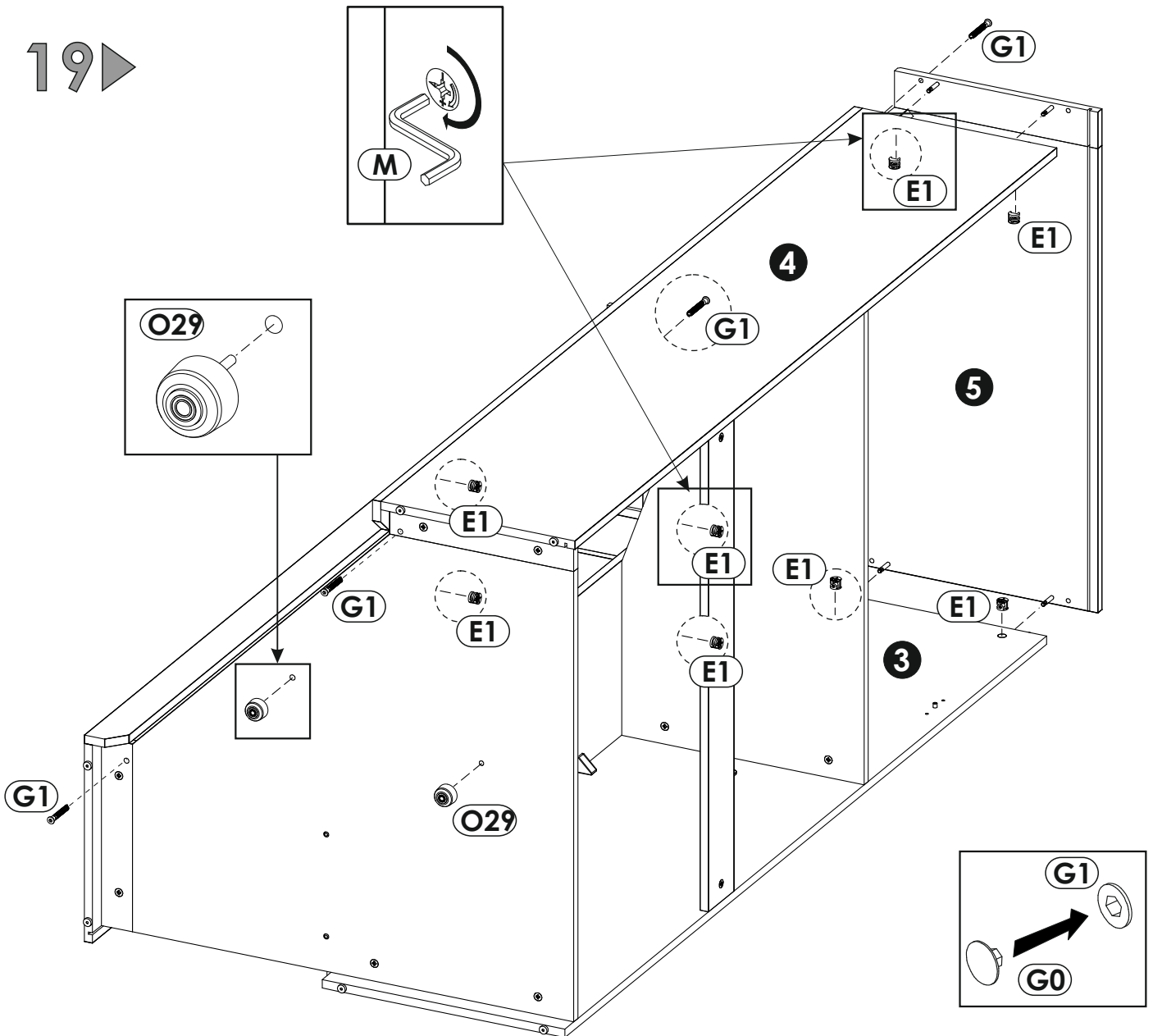
17▶



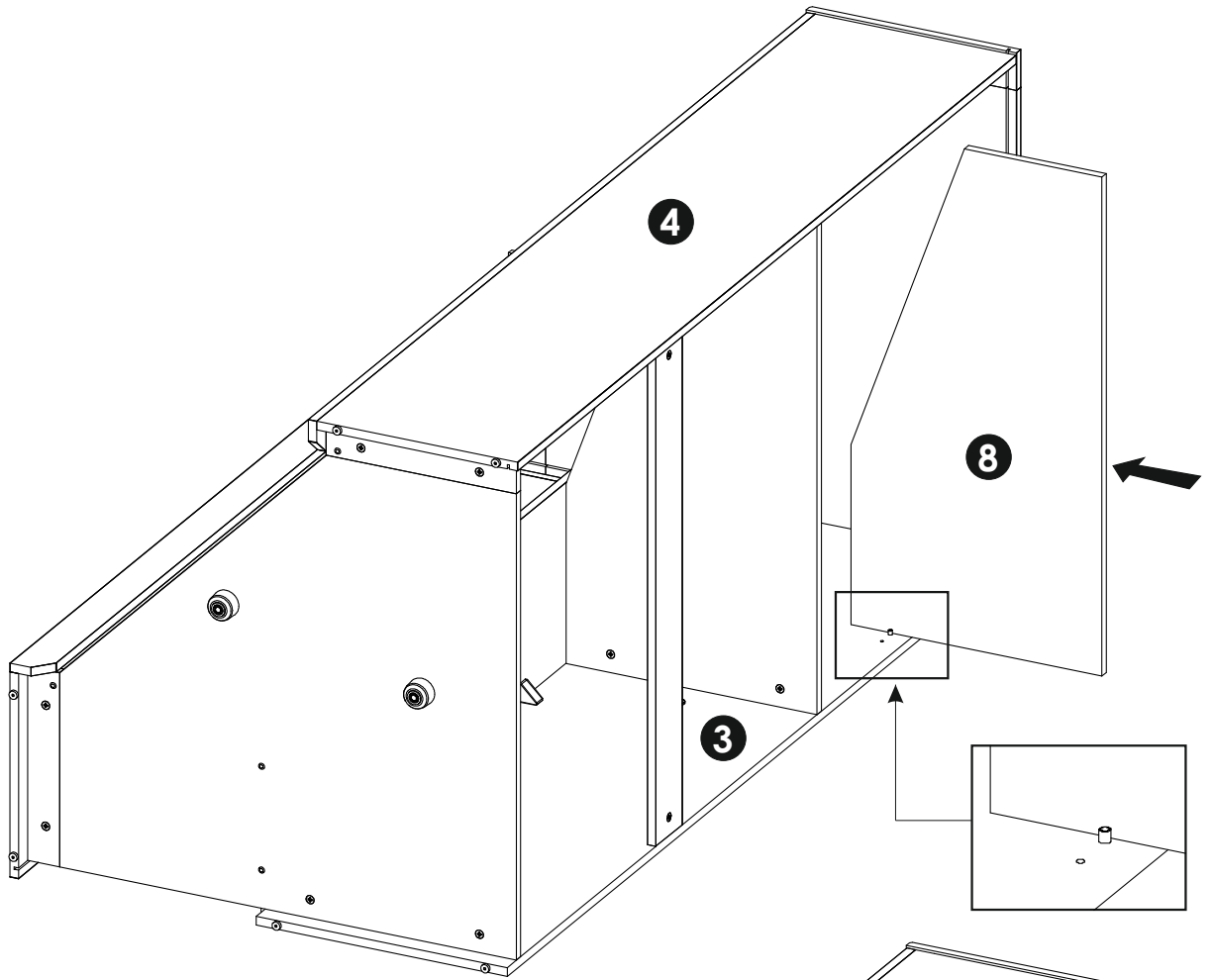
18 ▶



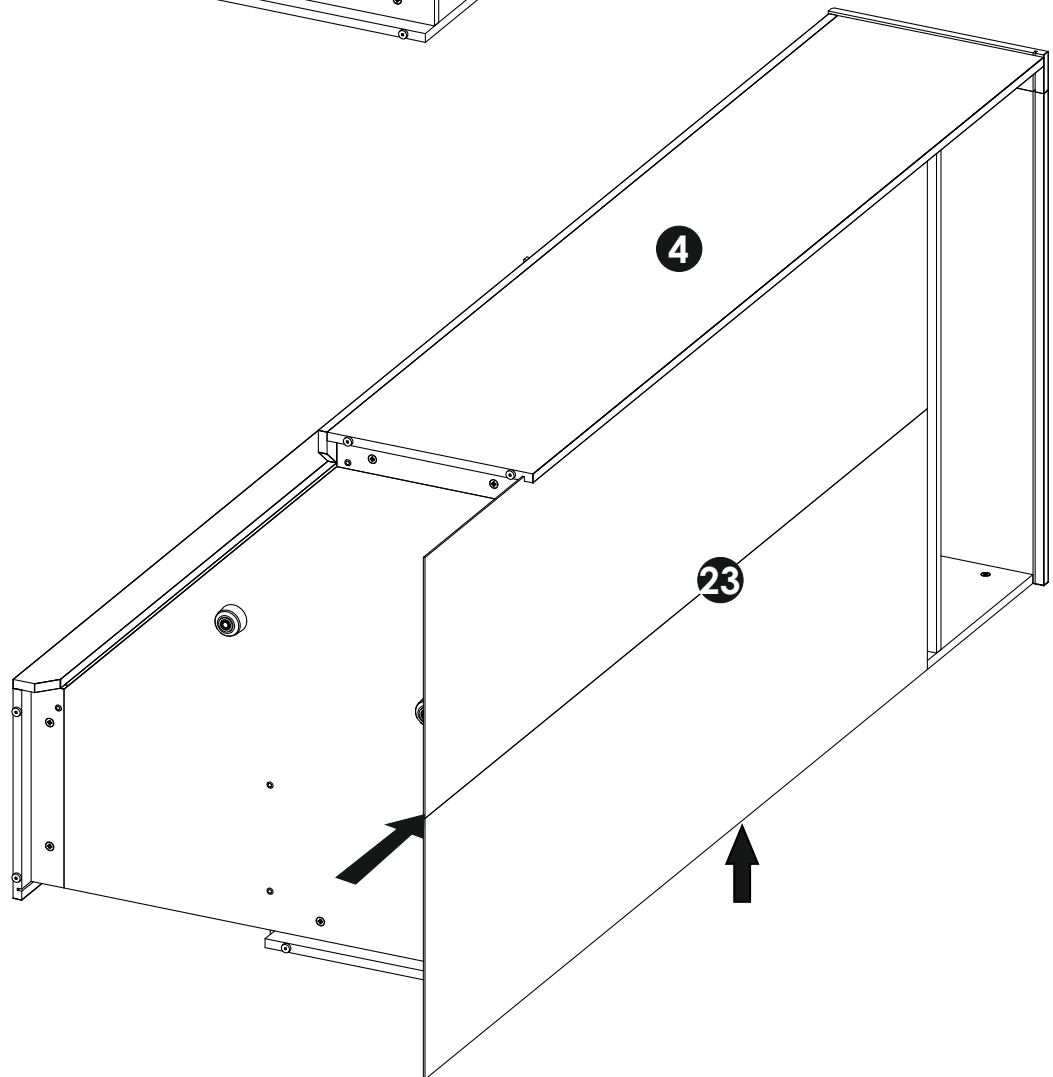
19 ▶



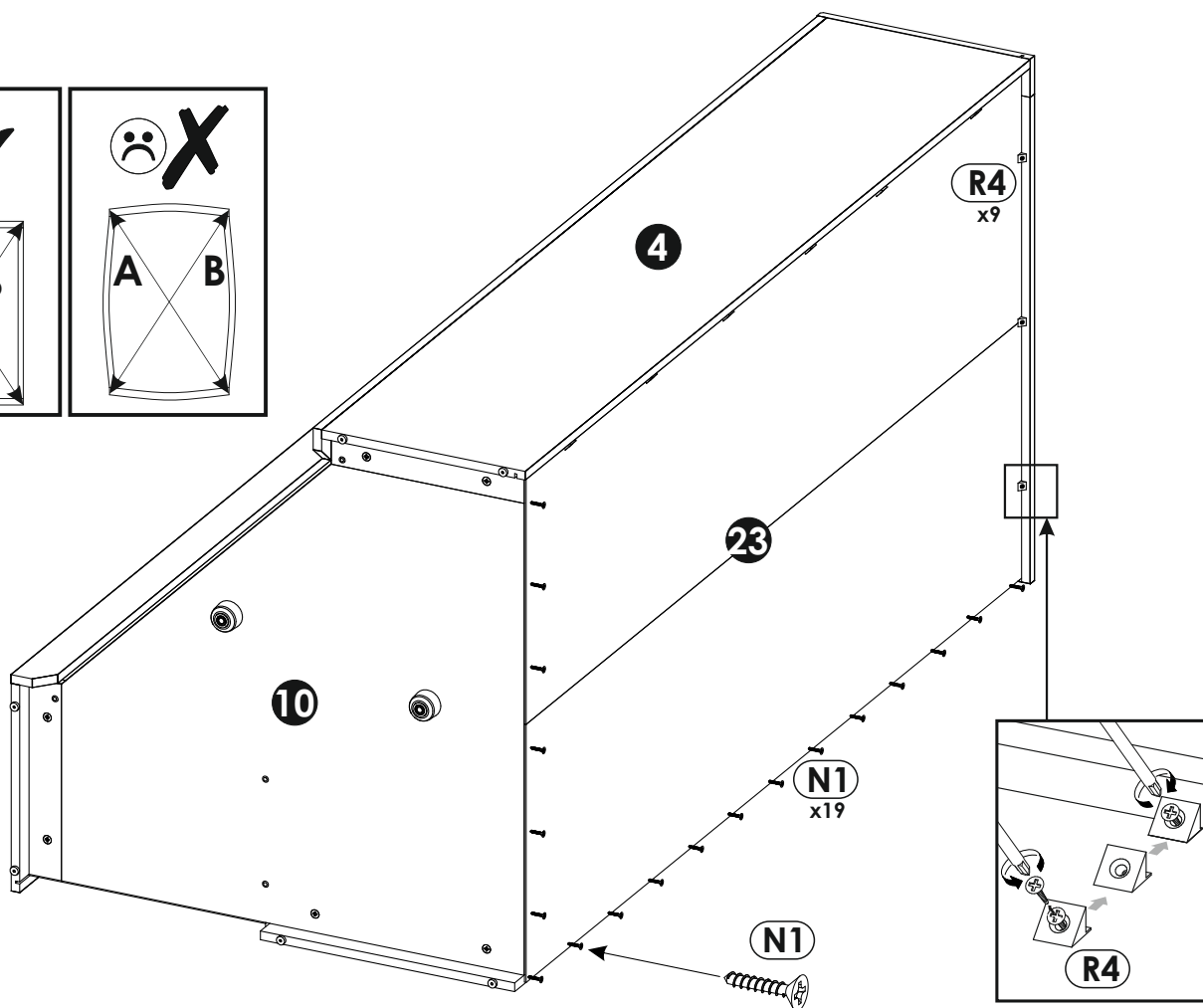
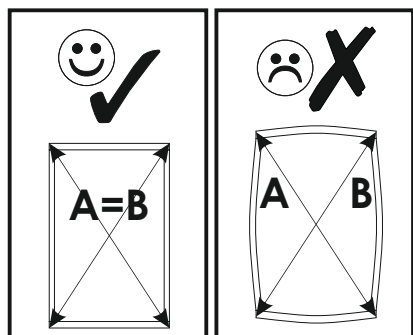
20 ▶



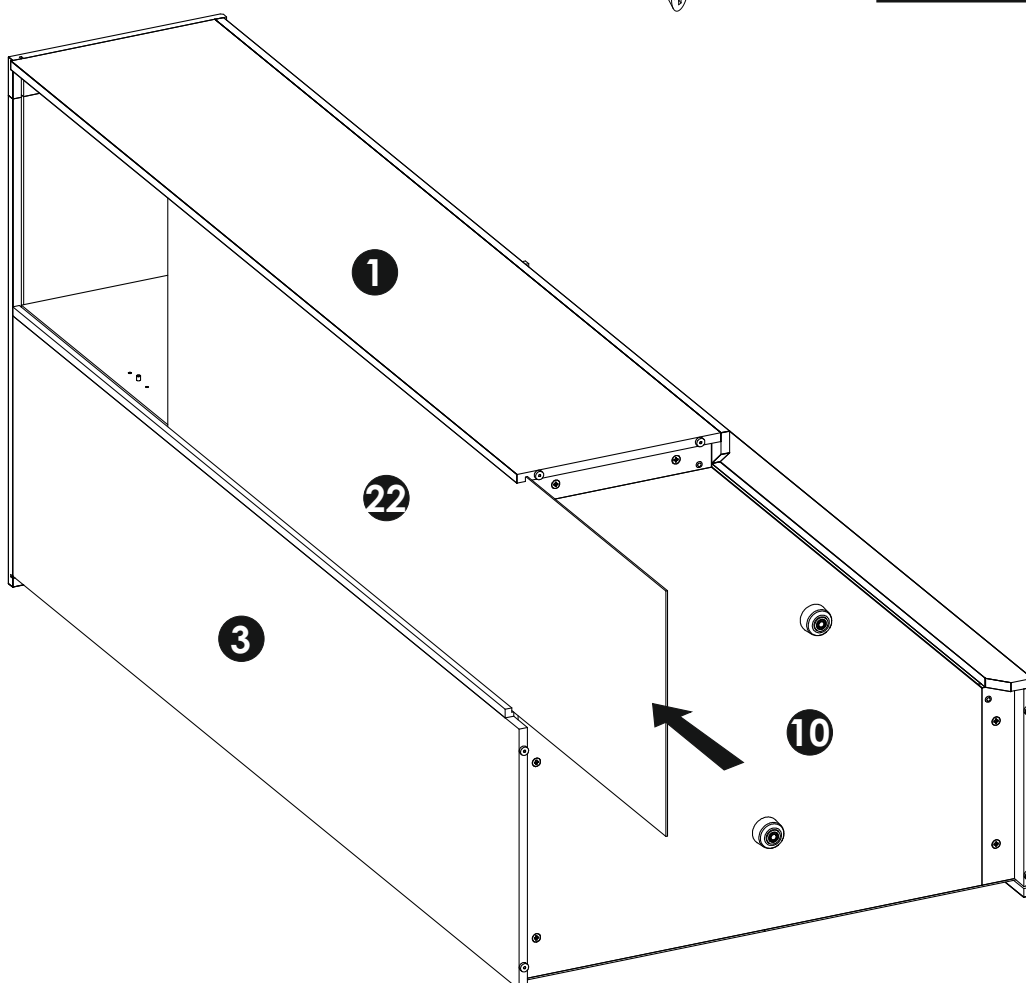
21 ▶



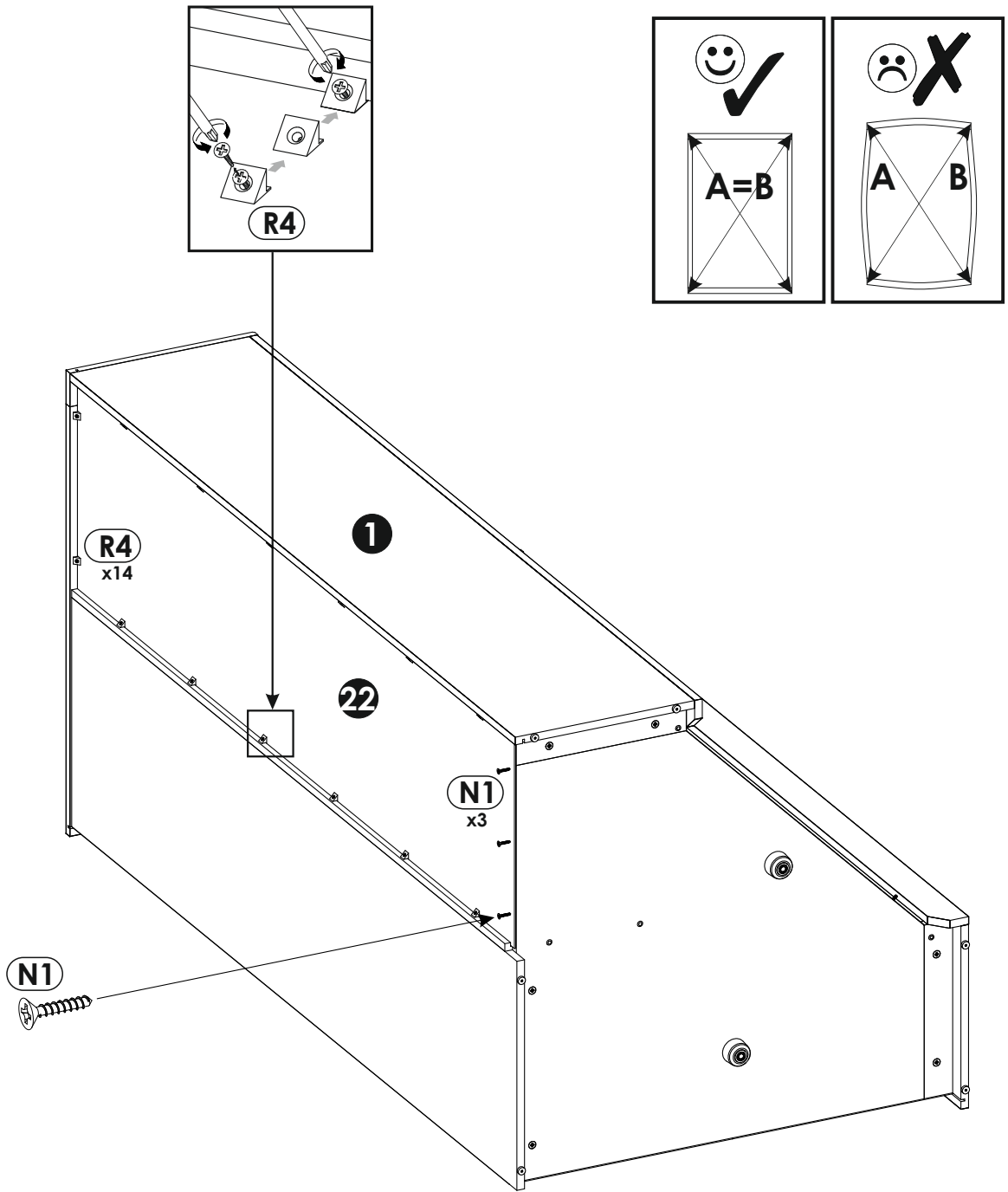
22 ▶

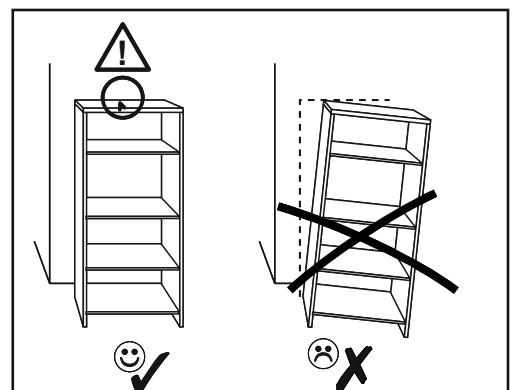
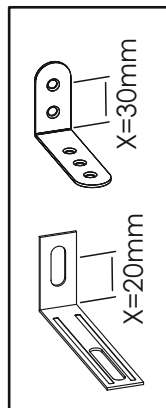
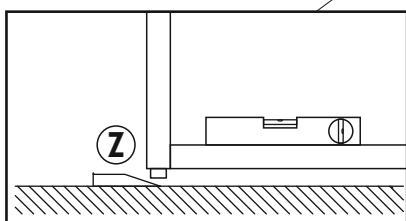
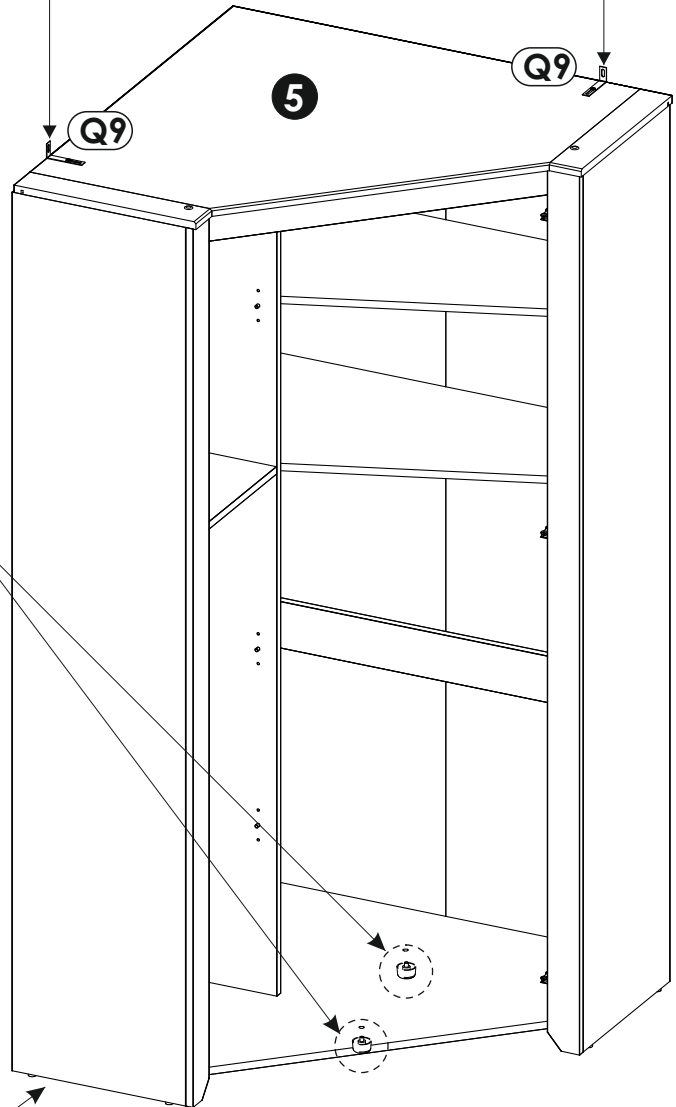
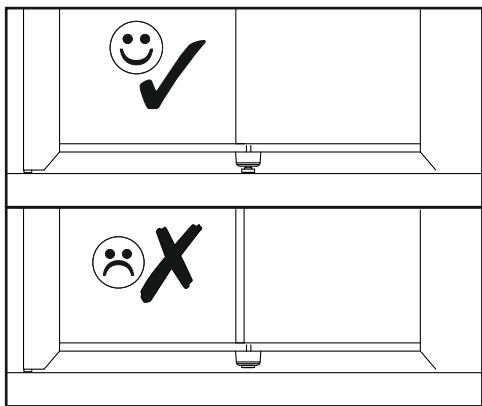
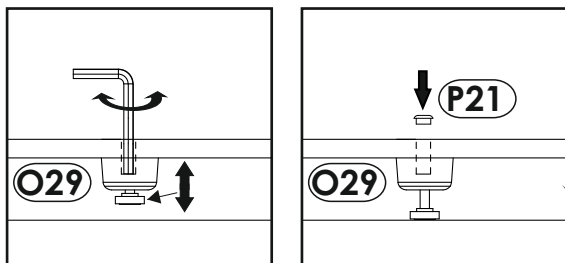
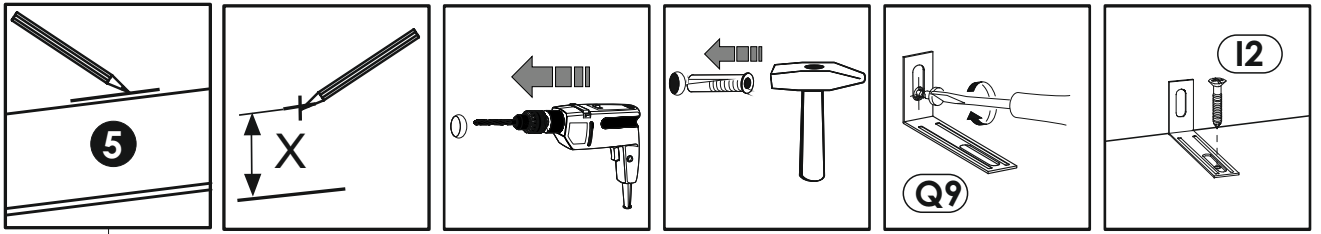


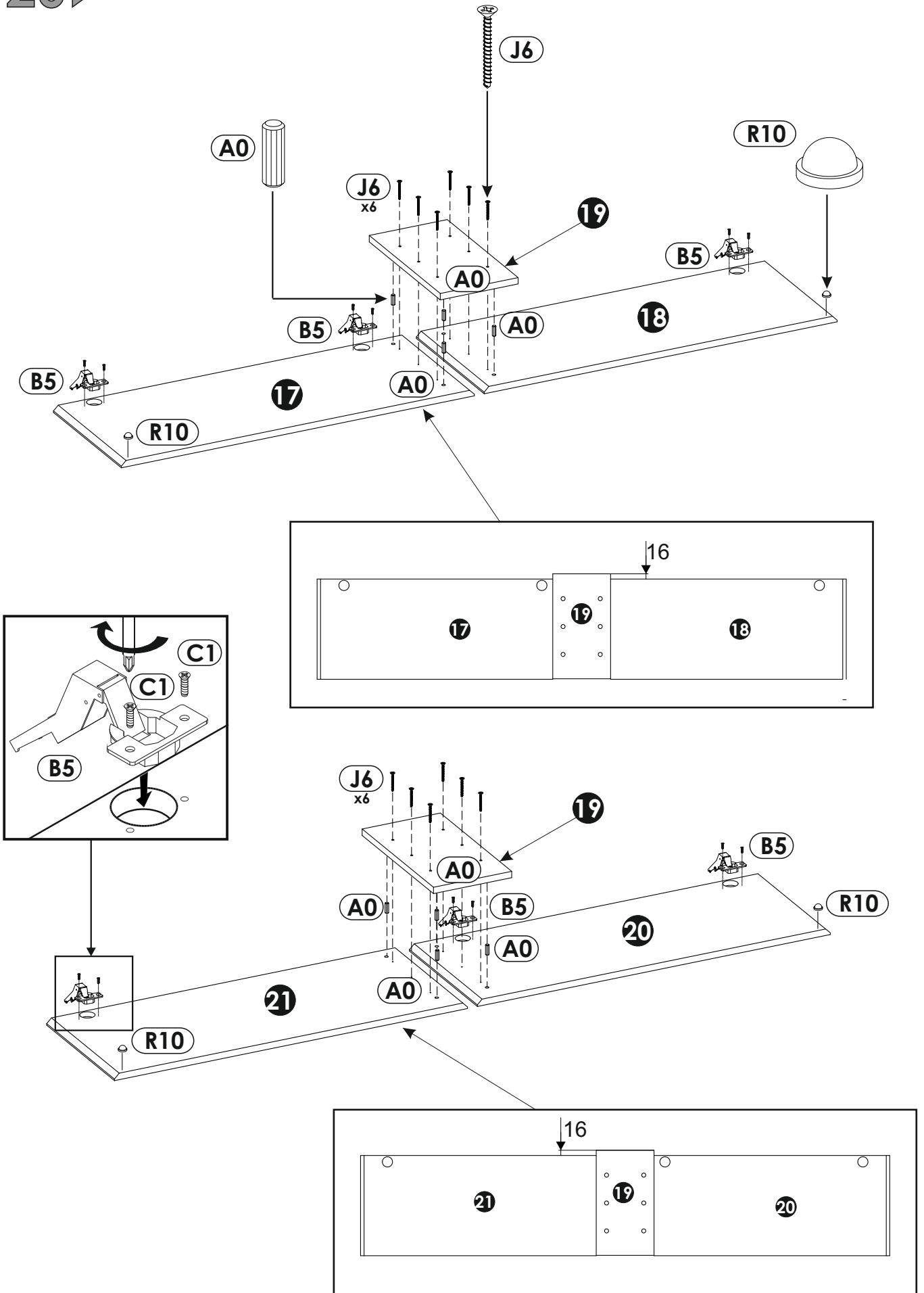
23 ▶



24 ▶







27 ▶

